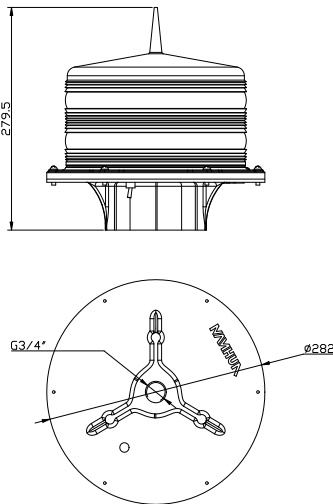




Mounting dimension (Unit : mm)



Application



Applications

Obstruction light for a wide variety of cranes used in Harbors, Metallurgies, Towers (Telecom, GSM, Smokestacks, Buildings and any other potentially hazardous obstructions for air traffic with a steady burning red or flash safety light.

Main functions and features

- Extremely Reliable- Major Maintenance Cost Saving
- Shock resistance, corrosion resistance
- Use Ni-MH battery, easy to replace.
- Lamp housing-Polycarbonate, with bird spike, with good anti-impact strength, thermal stability, high transmittance.
- Combustibility rating : UL94-V0

Specification

International standard	ICAO(Annex 14) Type B low intensity aviation light and FAA-L810		
Light source	LED	Vertical degree	≥10°
Light color	Red	Horizontal degree	360°
Intensity	>32.5cd	Flash rate	30 times/minute
LED life	≥100.000h	On/off level	70/100Lux
Battery capacity	3.6V/8AH NiMH	Solar panel	4W/5V
Autonomy	7 days (at 25°C, if the ambient temperature is lower than 0°C or above 40°C, it will affect the battery discharge)		
Operating temperature	-40°C~+55°C	IP Code	IP65
Humidity	10%~95%	Weight	4.6Kg
Material	Base : Aluminium alloy Housing : PC		

Installation

- Mount the solar light in the most suitable place such as under direct sunlight, to ensure its continuous operation.
- Installation : G3/4" Pipe mounting or Flange mounting, refer to mounting dimension diagram
- For first usage, open the battery switch at the bottom. If store for a long time, close the switch.
- It has photocell control function. When the surrounding lamination is lower than the photocell switch lamination, the light starts flash.

Battery replacement

- Open the housing by removing 6 screws .
- Take out the old battery
- Install the new battery, close the housing



Open the housing



Battery Switch

Battery

Notice

The part of material of products is PC(like lamp cover and lamp shell), so it cannot direct or indirect touch the organic solvent, such as industrial alcohol, banana oil, isopropyl alcohol, carbon tetrachloride, cyclohexanone and so on, otherwise, the product will be corrosion.

- Replace the battery regularly in order to keep light operate normally. It is suggested to replace it every year.
- If the storage time is over 6 months, the light should be placed in the sunshine for 3 days to be charged fully before using.
- Be careful for bird spike in case of being injured.

Mounting dimension diagram

