

# LW23 LED Work Light



Patent No.: 2013 3 0632969.7



## Products description and application

LW23 series LED work lights adopt mining machinery lighting technology. Product has features of long lifetime, safety operation, maintenance free by using brand high power LED light source, suit for the application of mining machinery (mining truck, grader, drill rig, excavators, etc.), metallurgy, ocean vessels and so on.

Standard: GB7000.1/GB2423/DIN40050/GB4208

## Features

- Mining lighting technology. Product uses reliable and high efficient LED light source, has the advantages of high brightness, long lifetime, energy saving and environment friendly.
- Aluminum housing structure design with special surface finish treatment. Product has excellent heat dissipation ability, good anti-vibration capacity, long time stable operating.
- Product has sealed structure, water proof, corrosion and vibration resistant, impact resistant.
- Adjustable mount bracket, range from 60° to 140°. Built-in connector, easy to connect wires.
- Wide input voltage range, over voltage protection. Product operates more stable by using constant current design.
- Complies with EN 55015/ CISPR 15, avoid interference.
- Complies with IEC6100, Lightning surge 0.5KV, Electrostatic discharge 8KV.

## General Specifications

Electrical		Mechanical	
Rated voltage	DC18V-DC32V / AC200V~AC240V	Body material	Aluminum
Rated power consumption	18W 35W 48W 60W	Cover material	PC
Lightning surge	GB/T 17626.2-2006 ±500V	Operating temperature	Ta -40 °C ~+85 °C
Electrostatic discharge	GB/T 17626.5-2008 ±8KV	IP rate	IEC60529 IP68/IP69K
EMC	EN 55015/ CISPR 15	Anti-vibration	IEC60528 20G
Connect	Lead wire / connector	Anti-shock	IEC60528 60G
		IK rate	IK08
		Anti-corrosion	ISO9227 720H / C5-M
		Body color	Black
		Weight	2.5kg
		Mount	M10 stainless steel bolt
Photometric			
LEDs lifetime	≥50000h		
Color temperature	Cold white: 5700K	Warm white: 2700K	
Lumens	Cold white: 2550lm (18W) 4150lm (35W) 4500lm (48W)	Warm white: 1960lm (18W) 2800lm (35W) 3400lm (48W)	

# LW23 LED Work Light



4800lm (60W)

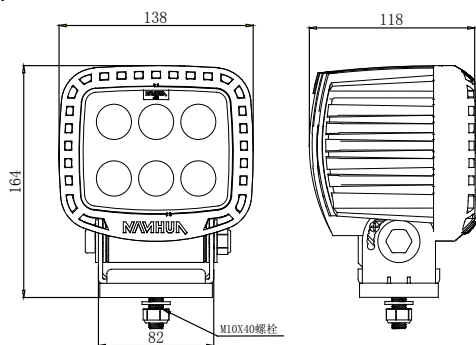
4500lm (60W)

Beam angle

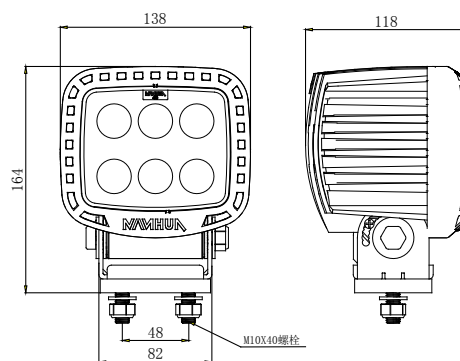
High beam 40° / Low beam 15°

## Mounting dimensions

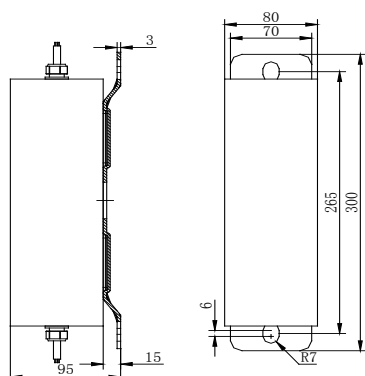
Unit: mm



Mount type 1



Mount type 2

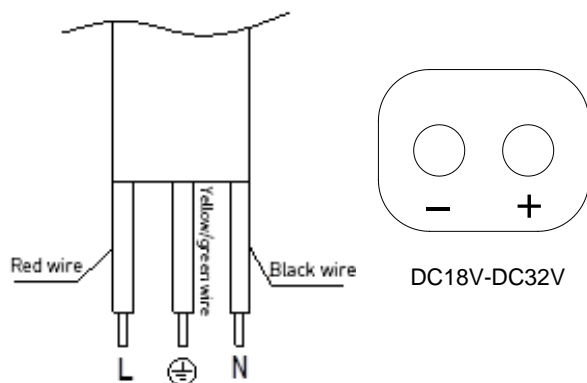


Power box

### Installation and operation

- Ensure that the input voltage is correct.
- Fix product to mount face by using M10 screws, ensure mount surface is flat and has enough mechanical strength. Adjustable mount bracket, range from 60° to 140° .
- Product has built-in Deutsch connector, connect foot 1 to positive, foot 2 to negative

## Wiring diagram



AC220-AC240V

### Caution

- Do not reverse connection positive and negative.
- Add an external connection 5A fuse to protect the line.
- Fix mount bracket well before start to use.
- It is normal phenomenon that the lighting surface temperature rising while it is operating.
- Risk of corrosion. Housing material is polycarbonate, not allowed to direct or indirect contact with industrial spirit, banana oil, isopropanol, carbon tetrachloride, cyclohexene, etc organic solvent.



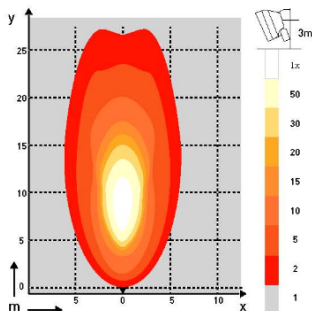
# LW23 LED Work Light



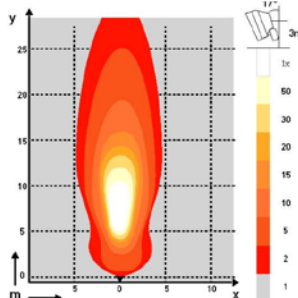
## Light distribution pattern

### 15° beam angle

LW23-2700K

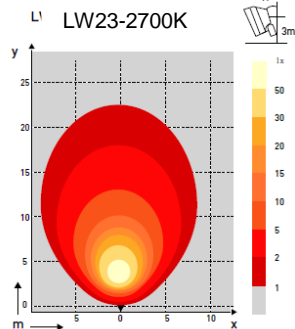


LW23-5700K-

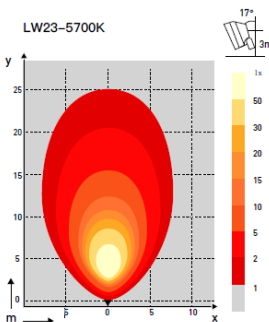


### 40° beam angle

L<sup>1</sup> LW23-2700K



LW23-5700K



## How to Order

P/N	Model	Power	Voltage	Color temperature	Beam angle	Wiring	Mount
1000123-001	LW23	60W	DC18V-DC32V	2700K	40°	Connector	Single bolt
1000123-003	LW23	48W	DC18V-DC32V	5700K	40°	Connector	Single bolt
1000123-004	LW23	35W	DC18V-DC32V	5700K	40°	Connector	Single bolt
1000123-005	LW23	35W	DC18V-DC32V	5700K	15°	Connector	Single bolt
1000123-006	LW23	18W	DC18V-DC32V	5700K	40°	Connector	Single bolt
1000123-007	LW23	18W	DC18V-DC32V	5700K	15°	Connector	Single bolt
1000123-009	LW23	60W	DC18V-DC32V	5700K	40°	Connector	Single bolt
1000123-010	LW23	60W	DC18V-DC32V	5700K	15°	Connector	Single bolt
1000123-011	LW23	60W	DC18V-DC32V	2700K	15°	Connector	Single bolt
1000123-012	LW23	60W	AC220V-AC240V	5700K	40°	2m lead wire	Single bolt
1000123-013	LW23	35W	DC18V-DC32V	5700K	40°	built-in Deutsch	Single bolt
1000123-014	LW23	35W	DC18V-DC32V	5700K	15°	built-in Deutsch	Single bolt
1000123-015	LW23	35W	DC18V-DC32V	5700K	40°	built-in Deutsch	Single bolt
1000123-016	LW23	35W	DC18V-DC32V	5700K	15	built-in Deutsch	Single bolt
1000123-017	LW23	60W	DC18V-DC32V automobile electronics	5700K (automobile electronics)	40°	Connector	Single bolt

Thanks for choosing our products, NANHUA Electronics is the professional brand of signal transmission and high quality industrial lighting which is trusted and loved by global users from various industries.

Read and understand these instructions completely and carefully. Wrong installation and operation may lead to fires, electric shock, and others. Due to our continued efforts to improve our products, product specifications are subject to change without notice.

©NANHUA Electronics Co., Ltd. All rights reserved. [www.nanhua.com](http://www.nanhua.com)