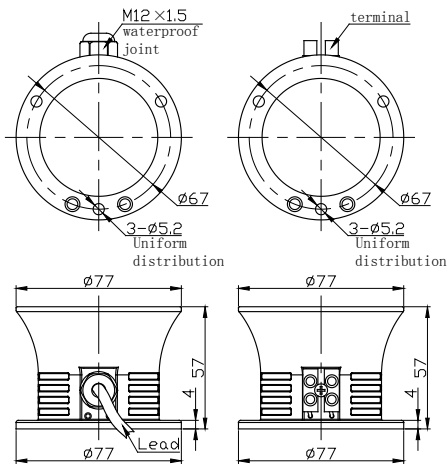
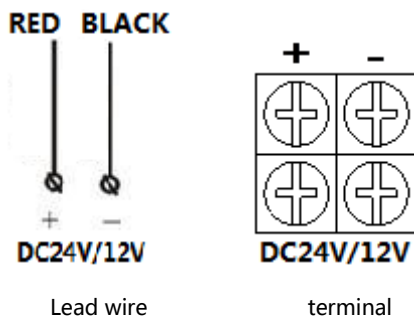



**Mounting Dimension ( Unit : mm )**

**Waterproof lead wire terminals**
**Wiring diagram**

**Application**

**Application**

Applied to instruments of switch panel, bench board and distribution box for the warning.

**Major features and functions**

- High loudness of warning voice
- Easy to use, long time continuous work
- Small size, light weight, stable work.

**Specifications**

Operating voltage	DC24V/DC12V	Power consumption	<8W
Tone	D/A/B/E/H/Y ( Customized )	Sound level	110dB
Horn Parameter	Piezoelectric horn	Connection	Waterproof joint/terminal
Temperature	-30°C ~ +70°C	IP protection	IP66 ( Just available for the product with waterproof joint )
Humidity	10% ~ 95% (no condensing )	Material	Aluminum alloy
Weight	0.3kg	Lead Length	1m

**Installation**

- Check whether the power voltage is in accordance with the buzzer rated voltage prior to installation
- Fix it with 3x M5 screws, ensure the mounting surface has the strong enough mechanical strength.
- Connect the red wire to the power anode, connect the black wire to power cathode. Turn on the power after ensuring no failure. The buzzer will give the alarming sound.
- Be careful that the work environment must be indoor if the product is with terminal connection.

**Notice**

- The part of material of products is PC( like lamp cover and lamp shell ), so it cannot direct or indirect touch the organic solvent, such as industrial alcohol, banana oil, isopropyl alcohol, carbon tetrachloride, cyclohexanone and so on, otherwise, the product will be corrosion.
- The buzzer will give the alarming sound when powered on
- Please check the power circuit when it does not work or malfunctions.
- The heating phenomenon of the cover during the process is normal
- Do not mount the horn upwards
- Any problem , please feel free to contact us.