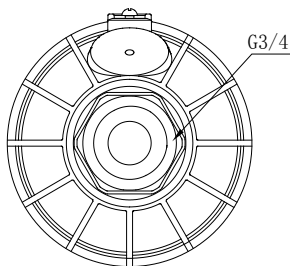
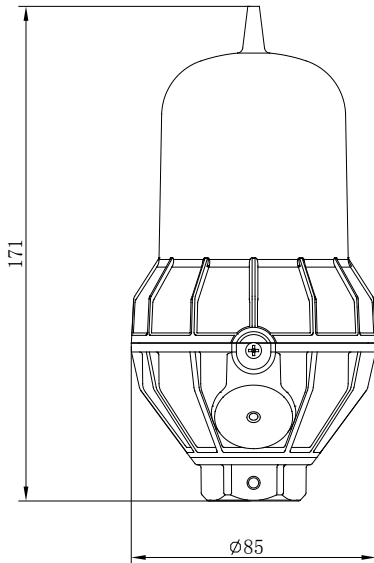


**CE** SHBST2012032401YEC-1



Mounting dimension ( unit : mm )



Mounting dimension with waterproof gland and photocell ( unit : mm )

**Applications**

Obstruction light for a wide variety of cranes used in Harbors, Metallurgies, Towers (Telecom, GSM), Smokestacks, Buildings and any other potentially hazardous obstructions to air traffic with a steady burning red safety light.

**Main functions and features**

- Use Fresnel lens, high utilization of light, valid keeping light beam in the scope as required.
- Based on LED technology, low power consumption, and high efficiency.
- Lamp housing – Polycarbonate, with good anti-impact strength, thermal stability, high transmittance.
- Die casting aluminum enclosure with powder-coat paint finishes, providing corrosion resistance and durability.
- G3/4" pipe is available, ease of mount.
- EMC Compliance, No RF Radiation.
- Self-contained compartment, with stainless steel wire which is used to secure the unit against falling in operation, and ease of mount.
- Built-in photocell can switch ON/OFF the light at dawn and dusk (optional).
- Steady burning or flashing type (no need external controller).
- Extremely Reliable – Major Maintenance Cost Saving.
- External two M20X1.5 Waterproof gland( can be customized).

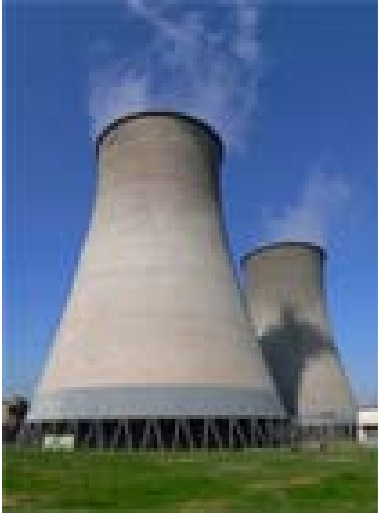
**Specification**

Standard	Compliant to the ICAO(Aerodromes Annex 14) and FAA-L810	Vertical degree	≥10°
Light source	LED	Horizontal degree	360°
LED color	Aviation red ( Other color can be customized )	Flashing rate	Steady burning or flashing(flash rate can be selected)
Operating voltage	AC110V~AC240V (DC48V)/DC12-DC24	LED life	≥100,000h
Power consumption	4W	On/off level	500Lux
Intensity	≥32.5cd		
Operating temperature	-40°C ~ +55°C	IP Protection	IP66
Relative humidity	10% ~ 95% (no condensing )	Weight	0.3kg
Material	Base : Die casting aluminum Housing: PC		

**Installation and operation**

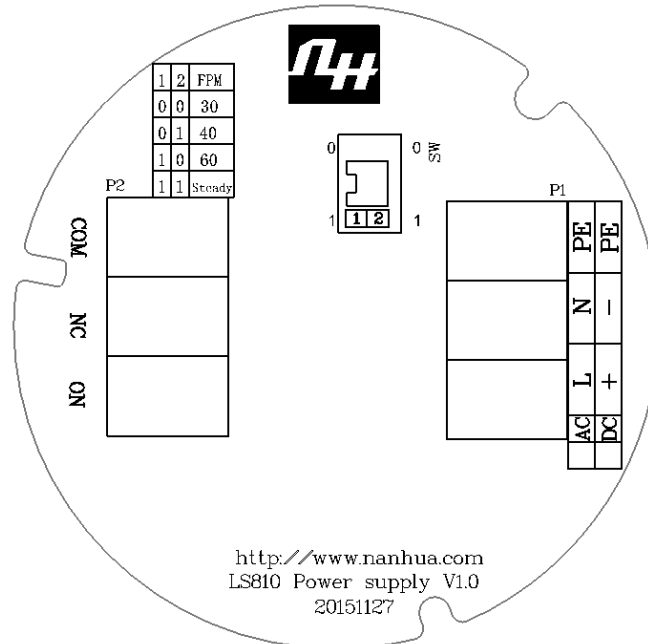
- Check whether the supply voltage does comply with the rated voltage of the lamp.
- Insert the power cable through the bottom of lamp holder, and connect them to the terminals in the base respectively.
- Follow connection diagram and set up work model. (remark: dial switch ON---1, figure---0)
- Tighten the screws between lamp housing and base.

#### Applications



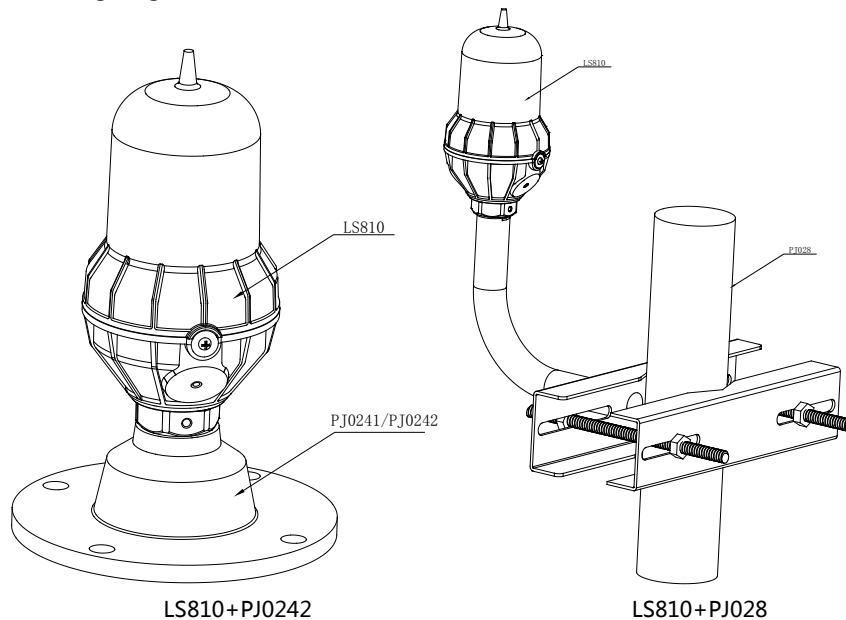
- Screw the lamp on the mounting bracket, which should be fixed on a smooth surface with enough mechanical strength. Or you can select our mounting bracket: PJ024, PJ028 and PJ030 (installing diagram), special bracket can be customized.
- Switch on the power, and then the light works.

#### Wiring diagram



Wiring diagram for AC power

#### Installing diagram



#### Notice

- The part of material of products is PC( like lamp cover and lamp shell ), so it cannot direct or indirect touch the organic solvent, such as industrial alcohol, banana oil, isopropyl alcohol, carbon tetrachloride, cyclohexanone and so on, otherwise, the product will be corrosion.