



Products description and applicaiton

Designed for use in material handling equipment, such as engineering machinery (overhead cranes, crawler cranes, mobile cranes), port machinery (Quay cranes, gantry cranes).



Features

- Super bright LED light source with advantages of long lifetime, energy saving and environment friendly, instant on/off.
- Adopts single independent constant-current and digit control technology, product works is stability and durability.
- Modular strucure design, easy for further maintenance.
- Integrated lens adopts high transmitting material, professional photometric design improve luminous efficient.
- Water proof, anti-corrosion, vibration resistant and UV resistant.
- Various mount and wiring type for optional.
- 380VAC/460VAC transformer box can be external connected.

General Specifications

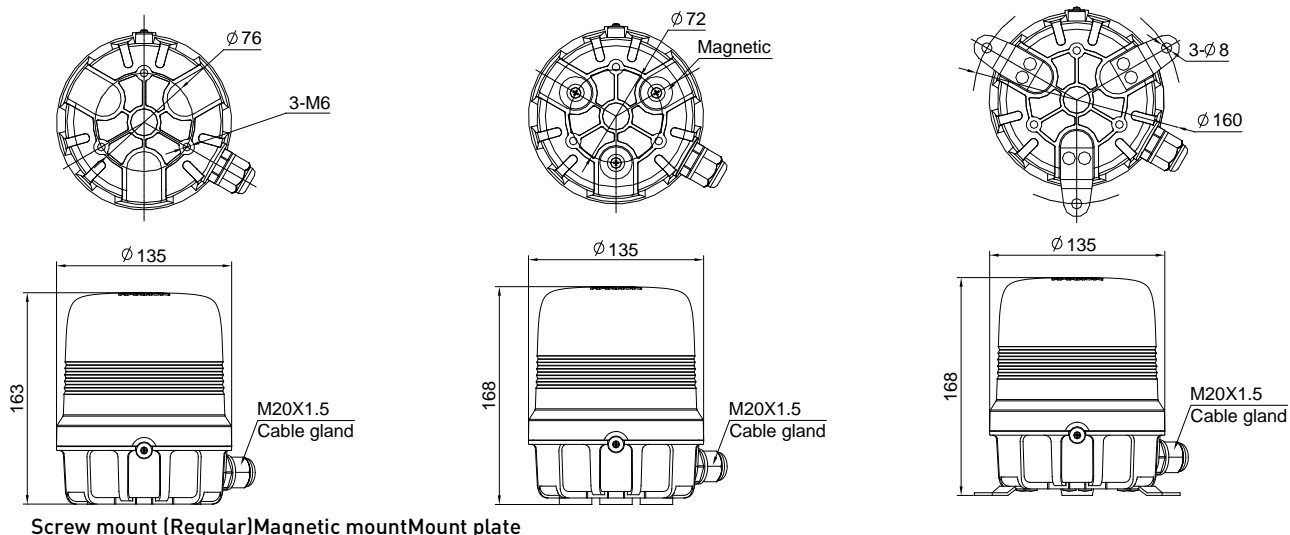
Electrical		Mechanical	
Rated voltage	DC8V~14V/DC18V~32V/AC110~AC240V	Material	Housing: PA6+30%GF Cover: PC
Tranformer voltage	AC380V/AC460V	Operating temperature	Ta -40°C ~ +75°C
Rated power consumption	≤40W	Ambient humidity	10%~95%RH
		IP Rate	IP66
		Weight	0.8 kg

Photometric

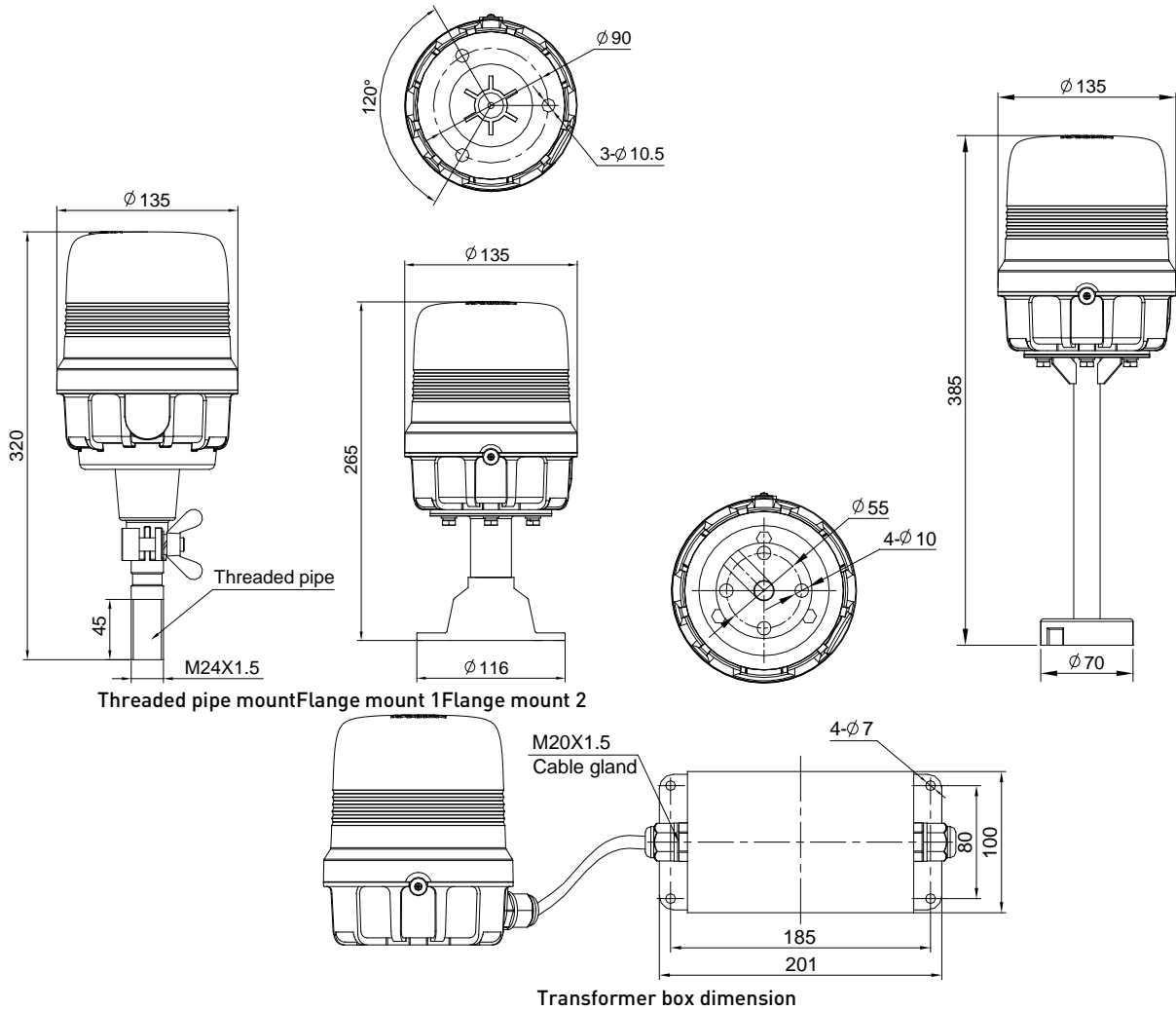
Alarm Mode	Flash/ Steady burning/ Rorating/ Strobe flash
Light source	LED
Color	Red, Amber (others can be customized)
Intensity	≥300cd

Mounting dimensions

Unit: mm

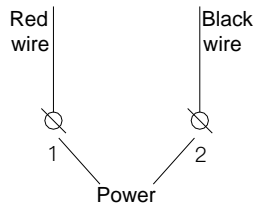


LR13 Beacon LED



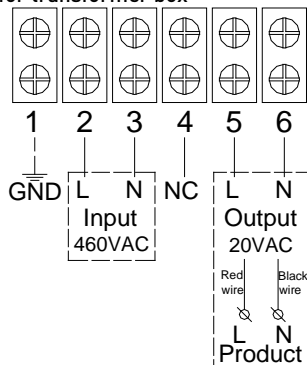
Wiring diagram

Wiring connection

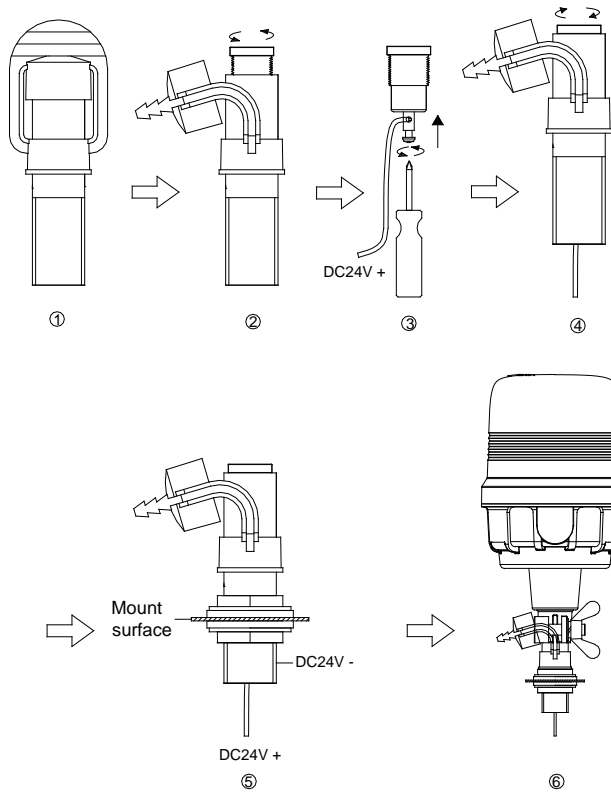


Product comes with 2x1.5mm balck lead cable, length is 2 meters; Screw mount, Magnetic mount and mount plate product has side cable gland to connect wires, Flange mount and threaded pipe mount product connect wire from bottom. Please refer to wiring connection diagram on the left to connect wires.

Wiring connection for transformer box



LR13 Beacon LED



1. Open waterproof plug on the threaded pipe, turn conductor copper pillar anticlockwise and take it out (see fig. 1 and 2), connect wire to onductor copper pillar (see fig.3), put conductor copper pillar in the pipe and fasten it (see fig.4).
- Caution: Conductor is 24VDC+ and threaded pipe is 24VDC-**
2. While connected the wires, fix the threaded pipe on mount surface. (see fig.5)
3. Insert the product in threaded pipe, fix the butterfly nut.(see fig.6)
4. Product start to work when power on.
5. DC voltage only.

Operation method



Product alarm mode can be adjusted by manual.
 Method: Turn off the power, unscrew the screw on side, turn the cover anticlockwise, open the cover and then adjust the DIP switch. Close the cover when DIP switch adjustment was finished.

DIP value	00	01	10	11
Figure				
Alarm mode	Flash 66 FPM	Strobe flash 46 FPM	Rotating 60 circles per minute	Steady burning

DIP switch value is "1" at "ON" position, value is "0" at "1, 2" position.

LR13 Beacon LED



How to Order

P/N	Model	Voltage	Color	Alarm mode	Mount
1000097-013	LR13	DC18~32V	Amber	Strobe flash	M6 screw mount + 2M lead wire
1000097-005	LR13	DC18~32V	Amber	Flash	Magnetic mount + 2M lead wire
1000097-004	LR13	DC18~32V	Amber	Flash	Mount plate + 2M lead wire
1000097-011	LR13	DC18~32V	Amber	Strobe flash	Threaded pipe mount
1000097-014	LR13	DC18~32V	Amber	Strobe flash	Flange mount + 2M lead wire
1000097-002	LR13	DC18~32V	Red	Flash	M6 screw mount + 2M lead wire
1000097-015	LR13	DC18~32V	Red	Strobe flash	Magnetic mount + 2M lead wire
1000097-016	LR13	DC18~32V	Red	Strobe flash	Mount plate + 2M lead wire
1000097-017	LR13	DC18~32V	Red	Strobe flash	Threaded pipe mount
1000097-018	LR13	DC18~32V	Red	Strobe flash	Flange mount + 2M lead wire
1000097-019	LR13	DC18~32V	Green	Strobe flash	M6 screw mount + 2M lead wire
1000097-020	LR13	DC18~32V	Green	Strobe flash	Magnetic mount + 2M lead wire
1000097-021	LR13	DC18~32V	Green	Strobe flash	Mount plate + 2M lead wire
1000097-022	LR13	DC18~32V	Green	Strobe flash	Threaded pipe mount
1000097-023	LR13	DC18~32V	Green	Strobe flash	Flange mount + 2M lead wire
1000097-012	LR13	AC110V~AC240V	Amber	Strobe flash	M6 screw mount + 2M lead wire
1000097-024	LR13	AC110V~AC240V	Amber	Strobe flash	Magnetic mount + 2M lead wire
1000097-007	LR13	AC110V~AC240V	Amber	Strobe flash	Mount plate + 2M lead wire
1000097-008	LR13	AC110V~AC240V	Amber	Flash	Mount plate + 2M lead wire
1000097-025	LR13	AC110V~AC240V	Amber	Strobe flash	Flange mount + 2M lead wire
1000097-010	LR13	AC110V~AC240V	Red	Strobe flash	M6 screw mount + 2M lead wire
1000097-026	LR13	AC110V~AC240V	Red	Strobe flash	Magnetic mount + 2M lead wire
1000097-003	LR13	AC110V~AC240V	Red	Flash	Mount plate + 2M lead wire
1000097-027	LR13	AC110V~AC240V	Red	Strobe flash	Flange mount + 2M lead wire
1000097-028	LR13	AC110V~AC240V	Green	Strobe flash	M6 screw mount + 2M lead wire
1000097-029	LR13	AC110V~AC240V	Green	Strobe flash	Magnetic mount + 2M lead wire
1000097-009	LR13	AC110V~AC240V	Green	Flash	Mount plate + 2M lead wire
1000097-030	LR13	AC110V~AC240V	Green	Strobe flash	Flange mount + 2M lead wire
1000097-031	LR13	AC460V	Amber	Strobe flash	M6 screw mount + 2M lead wire
1000097-032	LR13	AC460V	Amber	Strobe flash	Magnetic mount + 2M lead wire
1000097-033	LR13	AC460V	Amber	Strobe flash	Mount plate + 2M lead wire
1000097-034	LR13	AC460V	Amber	Strobe flash	Flange mount + 2M lead wire
1000097-035	LR13	AC460V	Red	Strobe flash	M6 screw mount + 2M lead wire
1000097-036	LR13	AC460V	Red	Strobe flash	Magnetic mount + 2M lead wire
1000097-001	LR13	AC460V	Red	Flash	Mount plate + 2M lead wire
1000097-037	LR13	AC460V	Red	Strobe flash	Flange mount + 2M lead wire
1000097-038	LR13	AC460V	Green	Strobe flash	M6 screw mount + 2M lead wire
1000097-039	LR13	AC460V	Green	Strobe flash	Magnetic mount + 2M lead wire
1000097-040	LR13	AC460V	Green	Strobe flash	Mount plate + 2M lead wire
1000097-041	LR13	AC460V	Green	Strobe flash	Flange mount + 2M lead wire
1000097-042	LR13	AC380V	Red	Strobe flash	Mount plate + 2M lead wire
1000097-043	LR13	DC8V~14V	Red	Strobe flash	Mount plate + 2M lead wire
1000097-044	LR13	DC18~32V	Amber	Flash	Flange mount + Deutsch connector + 0.5M lead wire

Thanks for choosing our products, NANHUA Electronics is the professional brand of signal transmission and high quality industrial lighting which is trusted and loved by global users from various industries. Read and understand these instructions completely and carefully. Wrong installation and operation may lead to fires, electric shock, and others. Due to our continued efforts to improve our products, product specifications are subject to change without notice.

©NANHUA Electronics Co., Ltd. All rights reserved. www.nanhua.com