



### Application

Special designed for harbor machinery(gantry crane, bridge crane etc ) and some other huge devices to battery charge, especially for aviation obstruction light battery charge.

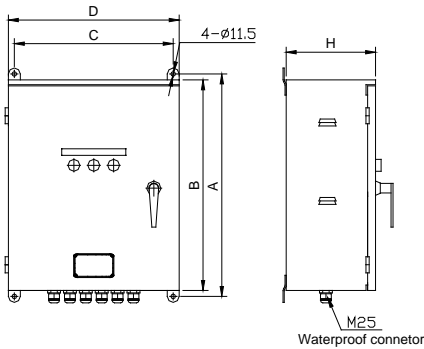
### Main function & feature

- Employs metal spray cabinet, durable, novel structure, waterproof and dustproof.
- Battery charger use internal charge automatically ,when the electricity (AC220V) off, automatically converted to battery power supply.
- Battery maintenance-free lead-acid batteries.
- To prevent battery discharge, the power supply box is equipped with over-discharge protection circuit, when the battery voltage is below DC21V, Will automatically cut out.
- If the power supply box work together with ABC-707, ABC-7L supporting the use of fully unattended control.
- Internal switching power supply provides DC power DC24V/3A.

### Specification

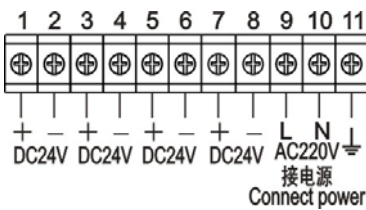
Supply Voltage	AC100V~AC240V	Frequency	50Hz ~ 60Hz
Output Current	7AH/DC24V (12AH/DC24V、24AH/DC24V、65AH/DC24V available)		
Ambient temperature	-30°C ~ +70°C	Weight	7AH: 18.2kg 12AH: 25.1kg 24AH: 34kg
Humidity	10% ~ 95% (no coagulation )	Material	Cold rolled steel+powder coating

### Installation dimension ( mm )



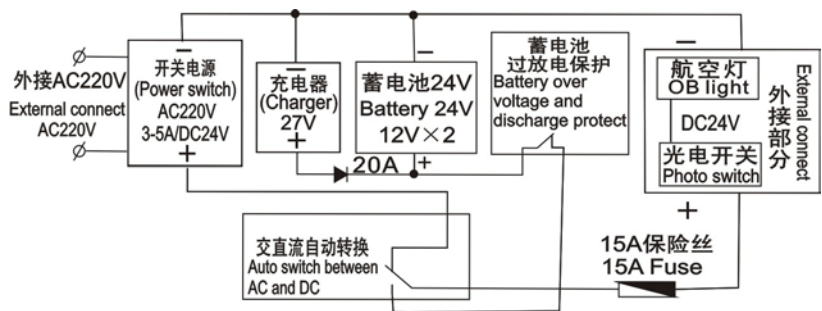
Volume Size	7AH	12AH	24AH
A	480	560	560
B	450	530	530
C	320	400	400
D	350	430	430
H	160	165	225

### Wiring diagram



### Installation and operation

- Check the charger input voltage whether accord with the power supply voltage.
- Charger with 4 M10screw to be fasten to the mounting surface, should have enough mechanical strength.
- Open the cover can see the connect terminal.
- Connect the power wire and load wire from the waterproof gland, connect as the drawing.
- After check the power wire and load wire all connect correct then can be function.



### Application



### NOTE

- DC24V power switch must be turned off when long-term no use the charger.
- ZD-301 AC-DC seldom have problems , in case they are not working or not working properly, check the power line and load line is connected properly or the company's technical personnel.