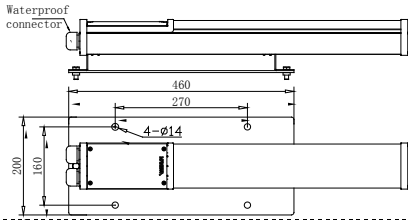
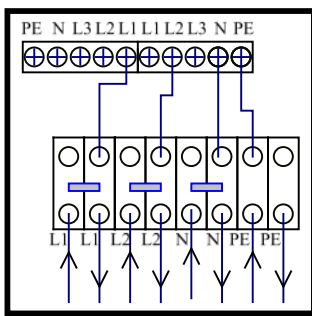


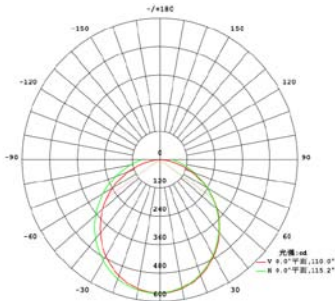
Mounting size 1 ( Unit : mm )



Terminal Diagram



Light distribution curve



Application


**Application**

Designed for wind turbine (tower, nacelle) inside lighting and can be used as a supplementary lighting of indoor environment.

**Main functions and features**

- Soft light beam
  - PC grain housing makes the light beam softly, to protect eyes
  - Long lifetime and environmental friendly
- The life of LED can reach more than 50,000hrs, and it can save 50% energy than common fluorescent lamp
- Integrated design, convenient for installation
- The diver and wiring terminals are integrated to one base which is convenient for installation and future maintenance

**Specifications**

Operating voltage	AC110V-AC264V	Frequency	50Hz ~ 60Hz
Power consumption	18W	LED life	≥50,000 hrs
CCT	5500K-6000K	CRI	Ra>70
Luminous flux	1500 lm	weight	4.1KG
Working temperature	-40°C ~ +50°C	Relative humidity	10% - 95% (no condensation)
		IP Protection	IP65
storage temperature	-40°C ~ +70°C	Material	Housing: PC Base: aluminum alloy

**Operation and installation**

- Check whether the power supply complies with rated voltage of the light.
  - Secure the light on a smooth surface which has enough strength using bolts or self-screws.
  - Please connect the power cable through the cable gland.
  - Power cable wiring diagram see left side.
- L1 and N: Input lines;  
L2: Standby;  
ON/OFF of L1 can control ON/OFF of the light.

**Notice**

- The part of material of products is PC( like lamp cover and lamp shell ), so it cannot direct or indirect touch the organic solvent, such as industrial alcohol, banana oil, isopropyl alcohol, carbon tetrachloride, cyclohexanone and so on, otherwise, the product will be corrosion.
- Temperature rising when light working is normal phenomenon.
- Do not open any part to avoid any danger when it works.
- As its sealed structure, do not disassemble the lamp without professional people. Otherwise, the warranty is invalid.