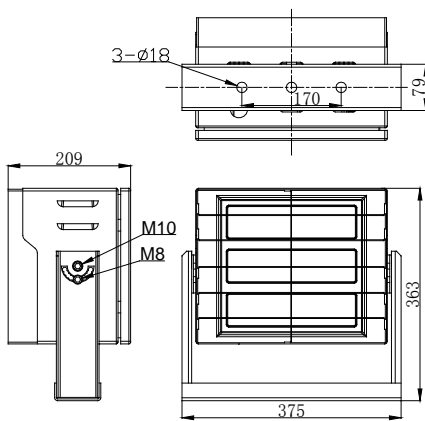


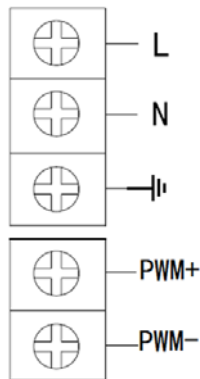


HD401A

Dimension ( mm )



Wiring diagram



Application



### Application

Applying to helipad lighting system on ship, offshore platform. Play the role of providing lighting for flight deck.

### Main function and features

- This product is equipped with shutters, so that the workers or pilots will not feel dazzling.
- Use energy-saving, high brightness LED, high luminous efficiency, which can effectively reduce user costs.
- Built-in PWM which can adjust constant current power supply, LED continuously adjustable.
- Body is made of stainless steel + fluorocarbon technology, good corrosion resistance..

### Specification

Voltage	AC220V	Power supply frequency	50Hz~60Hz
Color	White	Work model	Steady burning
Design lifetime	10 years	Dimmer way	PWM (range : 18V ~ 30V) 10 ~ 100% continuously adjustable
Power	150W	LED lifetime	50000 hours
Luminous	12500 Lm	Light degree	60°
Work temperature	-40°C ~ +55°C	IP rate	IP66
Humidity	95%	Material	Body : stainless steel 304+ fluorocarbon Optic lens : PC
Weight	16Kg		

### Installation and usage

- Fix light to the mounting surface through the bracket holes ( $\varphi = 18\text{mm}$ ).
- Loosen the two M8 screws and then adjust vertical angle of light (+ / - 90 °).
- Check that the power supply, make sure the power supply voltage is same as light nameplate rated voltage.
- Power cord that comes with the lights and dimming control lines are wiring access to power and control signals correspondingly.  
(Or open the box cover and open the junction box cover to wire)
- Access to power and control lines, check the wiring is correct, turn on the power, lights start working.
- The duty cycle of the PWM dimming signal is adjustable, the brightness signal changes accordingly.

### Notice

- For high-power lamp , the surface temperature is high, it cannot be covered. And the distance from the object no less than 3m, to avoid burns or fire.
- When installation, maintenance, replacement, light should be cool and cut the power by professionals.
- When operation, it is normal when light temperature rises. Try to avoid touching the lamp lens and shell when it works.
- Light in use can not have anything covering the surface, and the shortest distance to illuminated object should be more than 2 meters in order to avoid the risk of fire.
- Any questions, please contact us.